

TD6200

SIGN-UP VERTICAL MESSAGE BOARD

TD6200 Sign-Up Vertical Message Board consists of a molded plastic vertical panel, a 100% Post Consumer Recycled "Diamond" Series Rubber Base and two removable plastic sign blanks. Each sign blank can hold a message on each side so you could have a total of four different messages!



← Standard Black color shown.

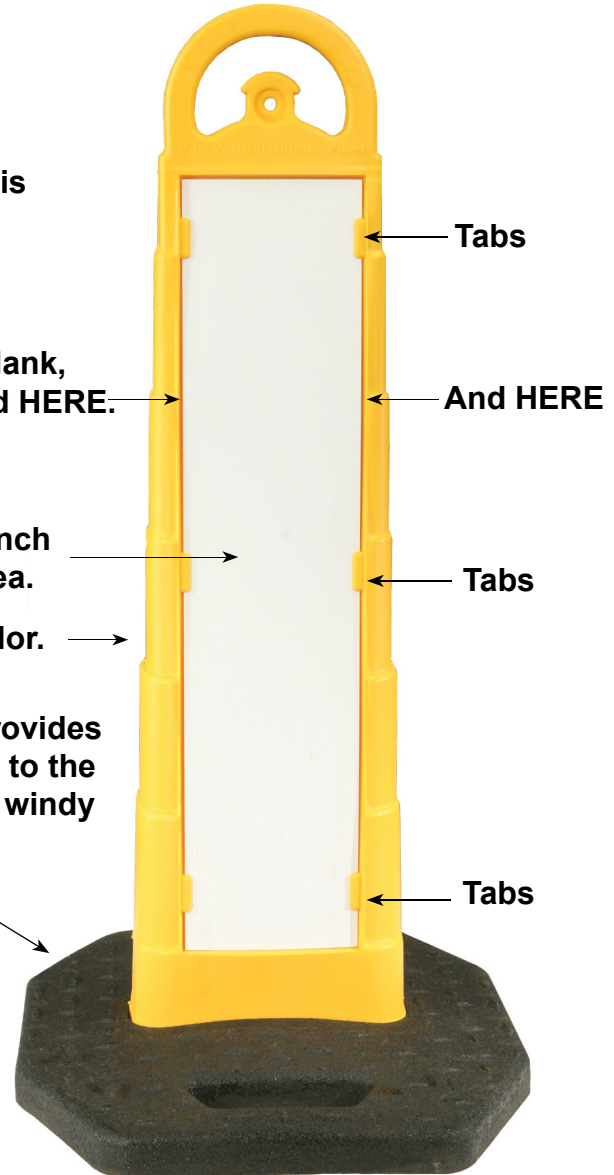
← Typical use of message board is shown as an example. Sign blanks come unprinted, ready for your message.

To remove sign blank, pry the insert forward **HERE**.

7.50 X 33.00 Inch Message Area.

Optional Yellow Color.

20 lb Rubber Base provides tremendous stability to the TD6200 even in very windy conditions!



- Large handle area ensures an easy grip.
- Includes a built in caution knob for simple wrap around tape application.
- Comes with 100% Post-Consumer Recycled Diamond Series rubber base in 20lb weight.

General information is listed on the reverse side. The measurements provided are intended only as a source of information. They are given without guarantee and are not classified as a warranty. A specification will be sent to you upon request.



Three D **TrafficWORKS**
Innovative Traffic Safety Products

we got the works!!



430 N. Varney Street. Burbank CA, 91502 Tel: (877) 843-9757 Fax: (818) 841-5096

Email: sales@trafficwks.com

Web: trafficwks.com

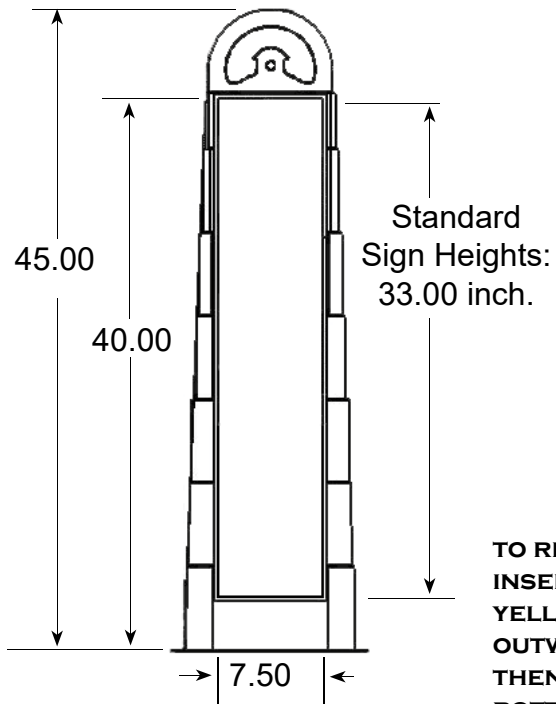


Innovative Traffic Safety Products

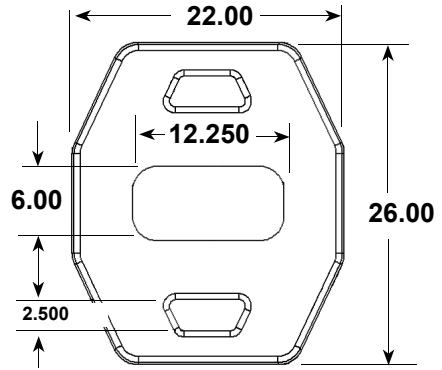
**TD6200 MODEL
SIGN-UP VERTICAL MESSAGE BOARD
SPECIFICATIONS**

- Dimensions of 45" model:
Overall Height: 45 Inches.
Overall Width: 22.00 inches.
Overall Length: 26.00 inches.
Plastic Panel Weight: 5.5 lbs.
Sign Blank Height: 33.00 Inches.
Sign Blank Width: 7.50 inches.
Sign Blank Thickness: 0.062 inch.
Sign Blank Weight: 1.50 lbs (2 pieces).
- Vertical Panel Material is low density polyethylene made from 50% Post-Consumer Recycled Plastic with UV inhibitors.
- Sign-Up Plastic Insert Blanks are made from Polystyrene. Additional Sign Blanks can be ordered: PN 620071.
- Standard color is Black. Other colors are Fluorescent Orange, Lime Green, Yellow or White available for a 15% additional charge.

TD6200 - 45" Standard VMB



**20 lb. TD8200 Series
Diamond Series Rectangular Base
100% Post Consumer Recycled Rubber.**



20 lb base is 1.750" thick .

TO REMOVE THE SIGN BLANK FROM THE VERTICAL PANEL, PRY THE INSERT FORWARD AT THE POINT SHOWN ON THE PHOTO OF THE YELLOW VMB. THE INSERT WILL BEND AS YOU PULL THE INSERT OUTWARD UNTIL THE TOP OF THE INSERT IS FREE OF THE TOP TABS. THEN SLIDE THE INSERT UPWARD AND OUT OF THE MIDDLE AND BOTTOM TABS.

TO INSTALL YOUR SIGN PANEL START BY SLIPPING THE INSERT INTO THE MIDDLE AND THE BOTTOM TABS. GENTLY BEND THE INSERT AND GUIDE IT UPWARDS INTO THE TOP TABS UNTIL IT IS FLAT.

We gratefully acknowledge the assistance of CalRecycle in developing our extensive line of recycled rubber bases.

