

# TD2150 WORKS ECONOCADE

## Type I & II All Plastic Barricades

**NCHRP350 CRASH TEST CERTIFIED AND MEETS MUTCD STANDARDS**



### FEATURES:

- Lightweight features allow ease of handling.
- Innovative leg design provides increased strength and prevents sagging in extreme heat.
- Panels are recessed to protect the reflective sheeting.
- Strong one piece design insures improved impact resistance.
- Completely stackable to reduce warehouse space.
- Manufactured from specially formulated plastic compound, utilizing polymer protection and a UV stabilizer.
- Designed to yield upon impact to minimize vehicle damage.
- Unique & Convenient Carry Handle.

**NCHRP 350 APPROVED : WZ-198  
MASH Compliant Category I Device**



### BARRICADES IN A-FRAME PARADE BARRIER APPLICATION.

This optional feature is available  
upon request.

Bottom Panel can be stenciled or embossed  
with logos and text on one or two sides.  
Please contact us for more information.

### COLORS AVAILABLE:

The TD2150 Works Barricade is currently  
available in **WHITE**. Three D Traffic Works  
can manufacture this product to your  
required color upon request.

### DIRECTIONAL BARRICADE

The TD2150 is available as a Directional Barricade  
with 12" X 24" Arrow Panel and 8" X 24" sheeting  
on the bottom panel.

### GENERAL INFORMATION:

General information is listed on the reverse side.  
The measurements provided are intended only as  
a source of information. They are given without  
guarantee and are not classified as a warranty.  
A specification will be sent to you upon request.

**Call for Pricing & Availability**



*we got the works!!*  
**Three D  
TrafficWORKS**  
Innovative Traffic Safety Products



430 N. Varney Street, Burbank CA 91502

Tel: (877) 843-9757

Fax: (818) 841-5096

Web: [www.trafficwks.com](http://www.trafficwks.com)

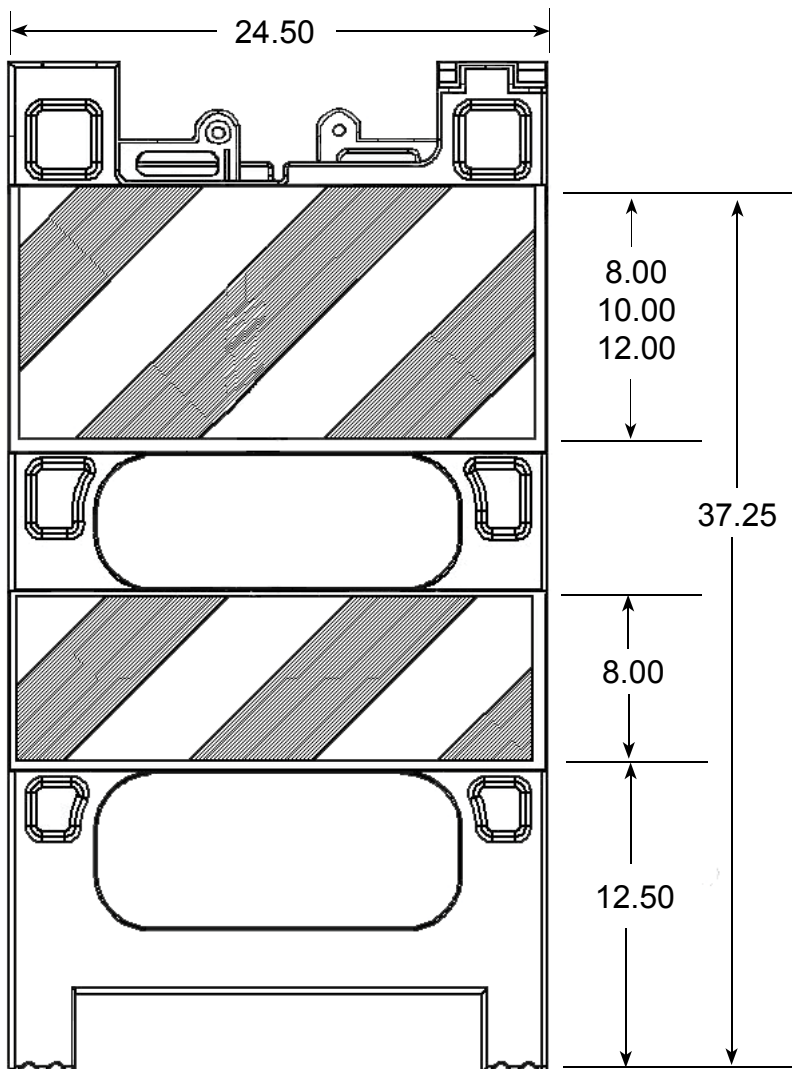
E-Mail: [sales@trafficwks.com](mailto:sales@trafficwks.com)



## TD2150 WORKS ECONOCADE

Type I & II All Plastic Barricades

- **Overall Height: 46.00".    Folded Thickness: 2.25".**  
**Width: 24.50".                Weight: 14 lbs (without ballast).**
- **All Sheeting Complies With ASTM 4956.19.**
- **Convenient Ballast Port allows for easy sand or gravel fill.**
- **Unique Handle facilitates carrying**
- **Colors: WHITE (standard), Flourescent Orange and others available upon request.**
- **Material: UV Stabilized Polymer Compound with a Cold Weather Protection Package.**
- **Meets EPA guidlines for recycled content - 95% Post- Consumer Recycled Content.**



Type II Barricade Shown Above.

