

BOOMERANG™

SURFACE MOUNT REBOUNDABLE DELINEATOR

TD5200 SERIES

AASHTO/NTPEP CRASH TESTED. INNOVATIVE SURFACE MOUNT BASE IS DESIGNED FOR HIGH IMPACT WORK ZONES.



THE BOOMERANG RB BASE IS THE MOST REBOUNDABLE TRAFFIC CONTROL PRODUCT ON THE MARKET TODAY.

18" & 24" Q-Markers Available

FEATURES:

- Meets all state specifications for two-way, two-lane delineators.
- Polymer base **WILL NOT** crack or split.
- Three times the elasticity of conventional rubber bases.
- The **BOOMERANG** base transfers the stress from impacts to the base, giving longer service life to the HDPE tube.
- **BOOMERANG** is perfect for parking lots, islands, work zones, concrete barriers, gore zones and bridges.
- Posts available in 2.25" round, 3" flat and 3" round.

COLORS AVAILABLE:

Posts are available in fluorescent orange, yellow or white. Three D Traffic Works can manufacture this product to your desired color.

GENERAL INFORMATION:

General information is listed on the reverse side. The measurements provided are intended only as a source of information. They are given without guarantee and are not classified as a warranty. A specification will be sent to you upon request.



WE GOT THE WORKS!!
Three D TrafficWORKS
 Innovative Traffic Safety Products



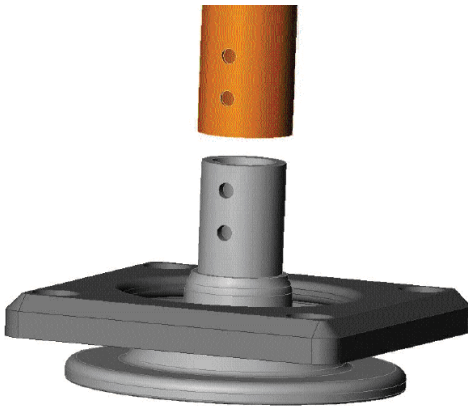


Innovative Traffic Safety Products

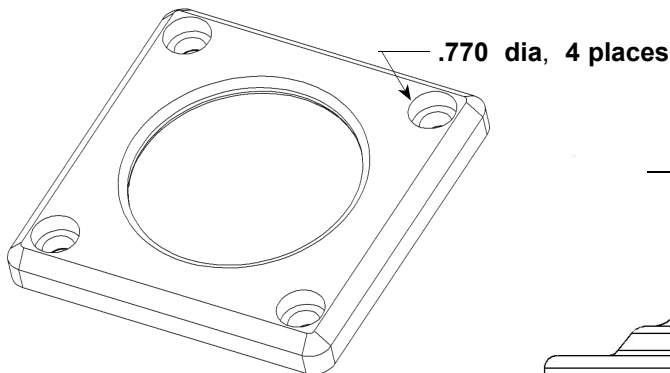
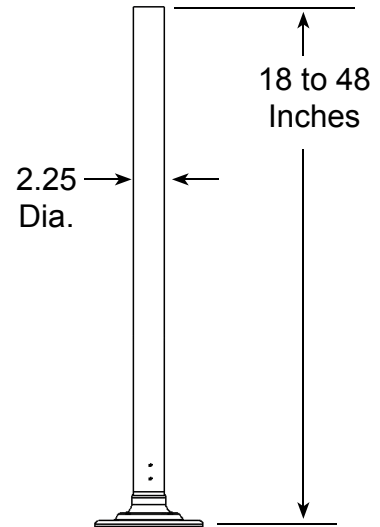
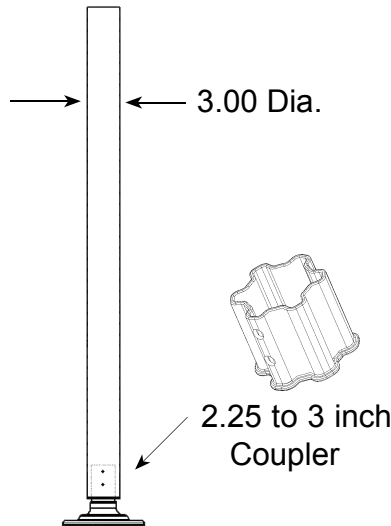
TD5200 SERIES

BOOMERANG™ SURFACE MOUNT REBOUNDABLE DELINATOR SPECIFICATIONS

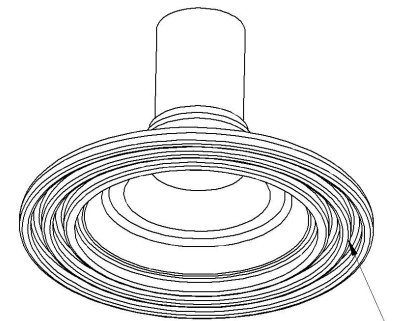
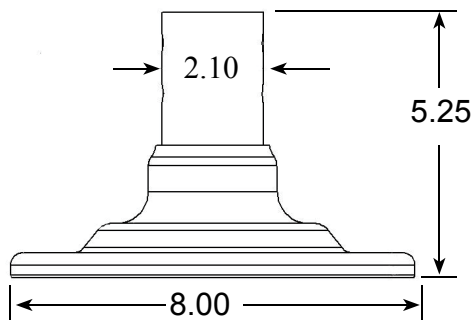
- **Dimensions of Tube:**
 Tube Heights: 18, 24, 28, 36, 42 and 48 Inches.
 Tube Width: 2.25", 3" Flat and 3"
- **BOOMERANG** Delineator is a two-piece design consisting of a HDPE tube and reboundable base fastened together with two zinc-plated Hex Bolts and Nyloc Nuts.
- **BOOMERANG RB** for maximum flexibility of delineators, channelizers and markers; **BOOMERANG HB** for maximum reboundability & stability of tubes with signs or panels.
- **Tube Colors:** Fluorescent Orange, Yellow and White. Other colors available upon request.
- **Tube Material:** High Density Polyethylene, UV-Stabilized. 100% Recycled Content!
- **Base Colors:** **BOOMERANG RB** black base; **BOOMERANG HB** gray base.
- **Base Material:** Specially Formulated Polymer made with 100% Recycled Content.
- **Bolt-Down Plate Material:** ABS made with 100% Recycled Content.
- Round tubes provide 360 degree visibility. Flat tubes provide 180 degree visibility.
- All sheeting complies with ASTM 4956.09 standards.
- **NTPEP Tested:** Report 6015.1



BOLT-DOWN ASSEMBLY



Bolt-Down Plate measurements:
8.50" L X 8.50" W X 1.06" H



Surface Mount Ribs