

DIAMOND SERIES
RUBBER BASE
TD8000 SERIES



- ALL BASES USE OUR HPC* PROCESS WHICH GUARANTEES UNIFORM COMPRESSION MOLDING FOR A MORE DURABLE BASE.
- UNIQUE PATENT PENDING DIAMOND FINISH.
- DESIGNED TO BE THE MOST SURE FOOTED TRAFFIC DELINEATOR BASES AVAILABLE.
- MADE FROM COMPRESSION MOLDED, 100% POST-CONSUMER RECYCLED TIRE RUBBER.

GENERAL INFORMATION:

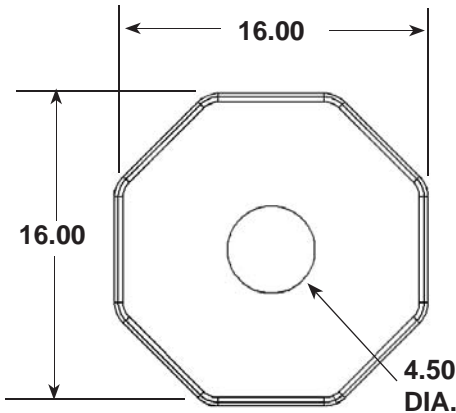
General information is listed on the reverse side. The measurements provided are intended only as a source of information. They are given without guarantee and are not classified as a warranty. A specification will be sent to you upon request.

* High Pressure Compression





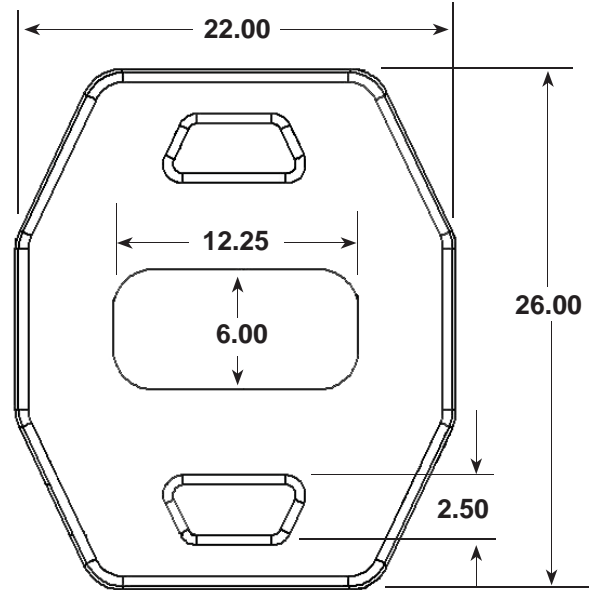
TD8000 BASE SPECIFICATIONS



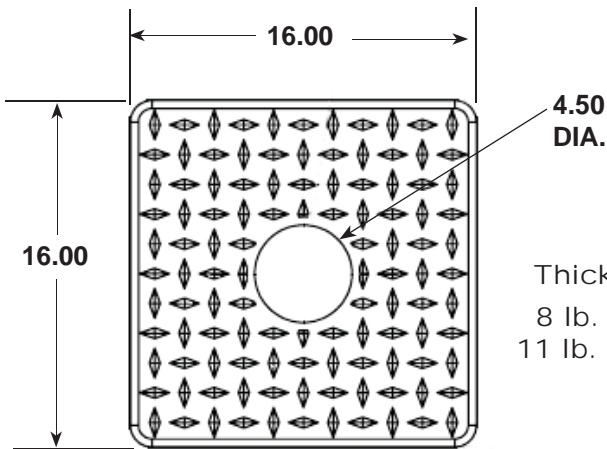
Thickness:
 8 lb. = 1.375"
 10 lb. = 1.650"
 12 lb. = 1.750"
 15 lb. = 2.500"
 18 lb. = 2.750"

DESIGNED SPECIFICALLY FOR TD5000 OPEN TOP AND TD5100 RINGTOP™ DELINEATORS

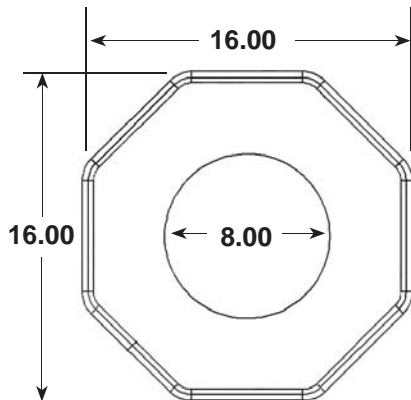
DESIGNED SPECIFICALLY FOR TD6000 SERIES VERTICAL INDICATOR PANEL



Thickness:
 20 lb. = 1.750"
 30 lb. = 2.250"



Thickness:
 8 lb. = 1.100"
 11 lb. = 1.500"



DESIGNED SPECIFICALLY FOR THE TD7500 SERIES RINGTOP™ STACKABLE CONE

Thickness:
 10 lb. = 1.700"
 15 lb. = 2.700"

