

V.I.P.™
 VERTICAL INDICATOR PANEL SIGN LEGENDS
 TD6000 MODEL

Distinctive and highly visible signs are available for our TD6000 VIP. One sided or two-sided. Below are a few of the many signs we have available for your needs. Call us for special order information. Send us your special designs and we will quote them for you.



- Large handle area insures an easy grip.
- Includes a built in caution knob for simple wrap around tape application.
- Extra large flange provides extra support while on the job or stacked with TD8000 rubber bases.
- Available with 100% Post-Consumer Recycled Diamond Series rubber bases in 20 and 30 lbs weights. Please see TD8000 Series Diamond Bases for benefits.

NCHRP350 Approved : WZ-118.
 MUTCD Compliant .

General information is listed on the reverse side. The measurements provided are intended only as a source of information. They are given without guarantee and are not classified as a warranty. A specification will be sent to you upon request.



WE GOT THE WORKS!!
 Three D
TrafficWORKS
 Innovative Traffic Safety Products





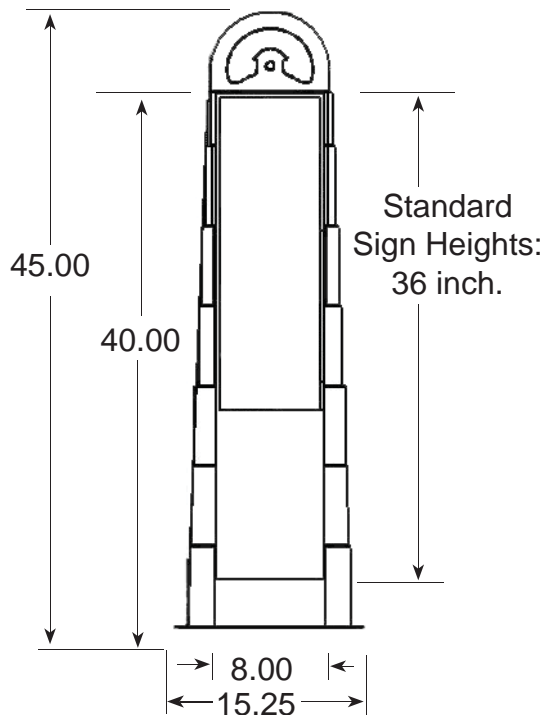
WE GOT THE WORKS!!
Three D TrafficWORKS
Innovative Traffic Safety Products



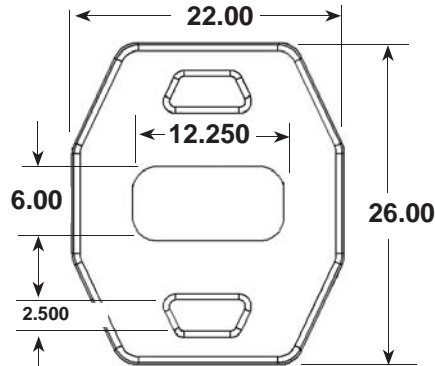
TD6000 MODEL V.I.P.
 VERTICAL INDICATOR PANEL SIGN LEGENDS
 SPECIFICATIONS

- **Dimensions of 45" model:**
 Overall Height: 45 Inches.
 Panel Height: 40 Inches.
 Panel Width: 8 inches.
 Weight: 5.5 lbs.
 Width at Base: 15.25 Inches
- **V.I.P. Vertical Panel is a two-piece design consisting of a molded plastic vertical panel and 100% Post Consumer Recycled "Diamond" Series Rubber Base available in 20 and 30 lb. weights.**
- **Product to have recessed hole for light attachment and leveler pad for light on opposite side of unit.**
- **Panel Material is low density polyethylene made from 50% Post-Consumer Recycled Plastic with UV inhibitors.**
- **NCHRP350 Approved: WZ-118.**
- **Colors: Fluorescent Orange, Black, Yellow or White.**

TD6000 - 45" Standard VIP



20 & 30 lb. TD8200 Series
 Diamond Series Rectangular Base
 100% Post Consumer Recycled Rubber



20 lb base is 1.750" thick .
 30 lb base is 2.250" thick.

We gratefully acknowledge the assistance of CalRecycle in developing our extensive line of recycled rubber bases.

